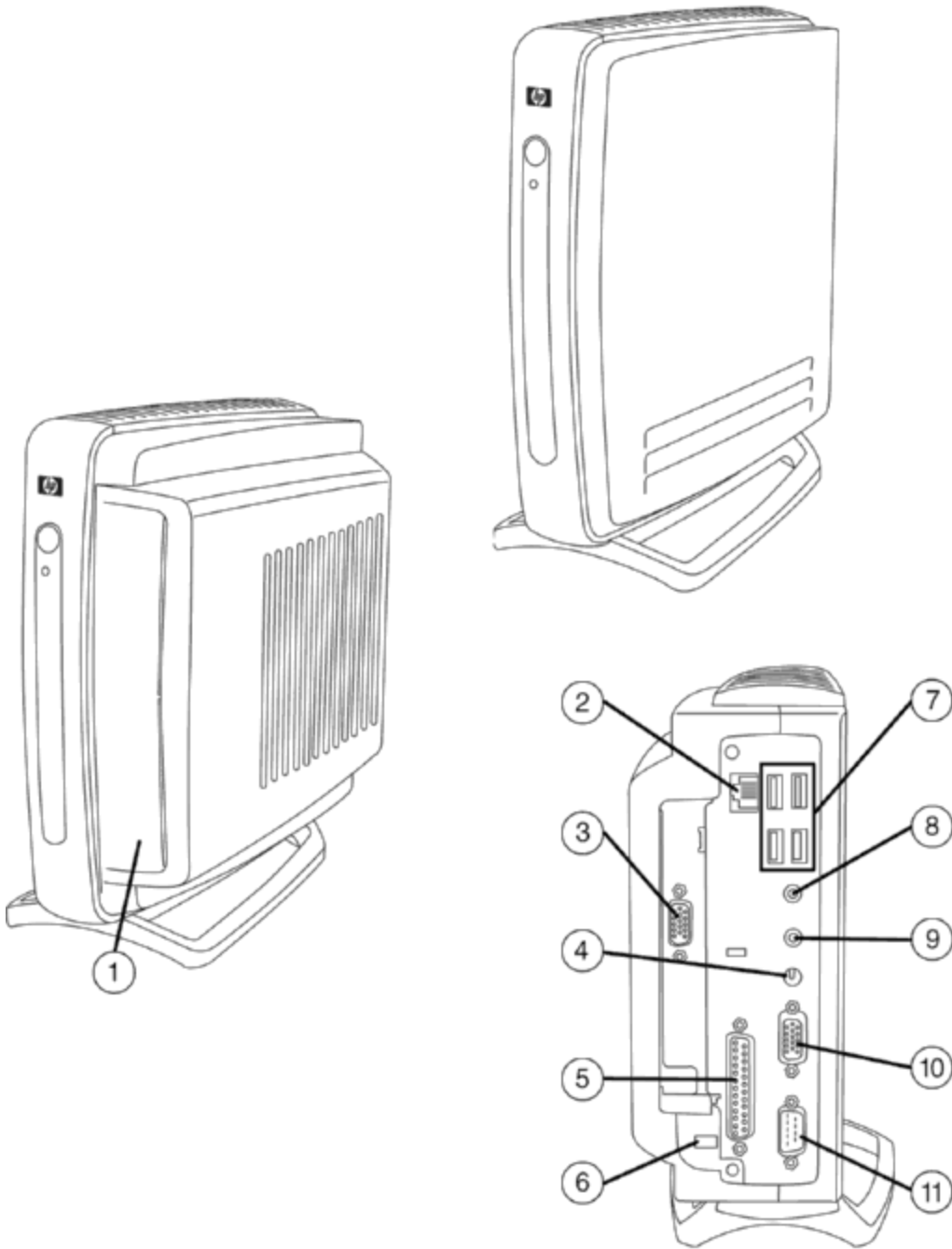


### Overview



1. Optional PCI Expansion Module
2. RJ-45
3. Optional PCI Slot External Connector
4. DC Power Input
5. Parallel Connector
6. Security Lock

7. USB Connectors
8. Audio Connector - Mic In
9. Audio Connector - Line Out
10. Video Connector
11. Serial Connector

### Overview

#### At A Glance

- Simplified IT management for the enterprise.
- Upgraded features and legacy support for mainstream corporate use
- Helps lower ownership costs and increase resource efficiency for each end-user
- 733 MHz processor
- Powerful, discrete graphics
- 128 MB of DDR SDRAM standard
- Optional PCI Expansion Module
- Broad range of support for options and peripherals
- Microsoft® Windows®CE .NET operating system
- Protected by Hewlett-Packard Services, including a limited three-year warranty – certain restrictions and exclusions apply.

### Standard Features - Models

DC641A#ABA	<b>Processor</b>	Transmeta Crusoe TM5800 733 MHz
	<b>Flash (ROM)</b>	32 MB
	<b>Memory</b>	128 MB DDR SDRAM ( <b>NOTE:</b> 16 MB of system RAM is reserved for processor usage.)
	<b>Operating System</b>	Microsoft Windows CE .NET v4.20
	<b>Browser</b>	Internet Explorer 6.0
	<b>Client Management Software</b>	Altiris Deployment Solution
	<b>Terminal Personalities Standard</b>	Yes

### Options

<b>Monitors</b>	HP L1502 15-inch TFT Flat Panel Monitor – Analog only	P9617D#ABA
	HP L1702 17-inch TFT Flat Panel Monitor – Analog only	P9621D#ABA
	HP L1530 15-inch TFT Flat Panel Monitor – Analog/Digital & Multimedia	P9624A#ABA
	HP L1730 17-inch TFT Flat Panel Display – Analog/Digital & Multimedia	P9625A#ABA
	HP L1925 19-inch TFT Flat Panel Display – Analog/Digital	P9626A#ABA
	HP L2035 20-inch TFT Flat Panel Display	P9614A#ABA
	HP v7550 17-inch (16.0-inch vis) Flat-face CRT Monitor	P9013A#ABA
	HP s9500 19-inch (18.0-inch vis) CRT Monitor	P9010A#ABA
	HP s7500 17-inch (16.0-inch vis) CRT Monitor	P9008A#ABA
	HP s5500 15-inch (13.8-inch vis) CRT Monitor	P9006A#ABA
	HP p930 19-inch (18.0-inch vis) Performance Natural-flat CRT Monitor	P9009D#ABA
	3000 Series Elo Entuitive 1725C 17-inch CRT Touchmonitor (USB) ( <a href="http://www.elotouch.com">http://www.elotouch.com</a> )**	ET1725C-4UWE-3
	3000 Series Elo Entuitive 1525L 15-inch LCD Desktop Touchmonitor (USB) ( <a href="http://www.elotouch.com">http://www.elotouch.com</a> )**	ET1525L-BUWC-1
	<hr/>	
<b>Security</b>	Compaq Security Lock	294316-B21; DC368A
	Identix BioTouch USB 200 Fingerprint Scanner ( <a href="http://www.identix.com">http://www.identix.com</a> )**	BTU-200-ML5-300
<hr/>		
<b>Storage</b>	HP 128-MB Disk on Key	DC190B
	HP 256-MB Disk on Key	DL973B
	Compaq External MultiBay	217388-001; DC373A
	Compaq MultiBay 1.44-MB Diskette Drive (requires External MultiBay)	226935-B25; DC362A
	Compaq MultiBay 60-GB Hard Drive (requires External MultiBay)	278420-B25; DC894A
	Compaq MultiBay 24X CD-ROM Drive (requires External MultiBay)	298452-B25; DC351A
	<hr/>	
<b>Communications</b>	HP PCI Expansion Module with Riser Card (supports single PCI device, sold separately)	DE961A
	HP WL220 Wireless PCI Adapter (requires PCI Expansion Module)	DC756B
	Zoom 3049 External Serial High Speed 56K modem from Zoom ( <a href="http://www.zoom.com">http://www.zoom.com</a> )**	3049-00-00C
	Zoom 2985 USB 56K External Modem from Zoom ( <a href="http://www.zoom.com">http://www.zoom.com</a> )**	2985-00-00C
<hr/>		
<b>Connectivity</b>	HP Wireless USB Mouse and Keyboard	300403-008
	Edgeport/1 USB to 1 port Serial Cable from Inside Out Networks ( <a href="http://www.ionetworks.com">http://www.ionetworks.com</a> )**	301-1001-11
	Edgeport/2 USB to 2 port Serial Cable from Inside Out Networks ( <a href="http://www.ionetworks.com">http://www.ionetworks.com</a> )**	301-1000-02
	Edgeport/4 USB to 4 port Serial Cable from Inside Out Networks ( <a href="http://www.ionetworks.com">http://www.ionetworks.com</a> )**	301-1000-04
	Targus Ultra Mini 4-port USB Hub from Targus ( <a href="http://www.targus.com">http://www.targus.com</a> )**	PA055U
	USB to Parallel Printer Cable (6 ft/1.8 m) from Inside Out Networks ( <a href="http://www.ionetworks.com">http://www.ionetworks.com</a> )**	301-9006-01

### Options

<b>Printers</b>	HP DeskJet 5550 (USB and parallel)	C6487C
	HP DeskJet 6122 (USB and parallel)	C8954B
	HP LaserJet 1200SE (USB and parallel)	C7047A
	HP DeskJet 3820 (USB and parallel)	C8952A

---

<b>Accessories</b>	40-W AC Adapter	DZ991A
	Mounting Bracket	DY928A

---

<b>Care Packs</b>	9x5 Next-Business-Day Advanced Exchange - 3 Years	U4847E
	9x5 Next-Business-Day On-Site Coverage - 3 Years	U4849E
	Hardware Installation	U4865E
	Hardware Installation (2 or more)	U4866E

\*\*The warranties for HP or Compaq branded products are set forth in the express limited warranty statements accompanying such products. Although these third-party products may work effectively on HP or Compaq thin clients, HP does not support or warrant third-party products, including the interoperability of such products with HP or Compaq thin clients. However, third-party manufacturers and vendors may provide their own warranties and support directly to you. Please contact the manufacturers and vendors listed previously for support on their products.

### Technical Specifications

<b>Processor</b>	Transmeta Crusoe TM5800 733 MHz		
<b>Memory</b>	<b>Flash ROM</b>	32 MB	
	<b>System Memory</b>	128 MB DDR SDRAM ( <b>NOTE:</b> 16 MB of system RAM is reserved for processor usage.)	
<b>Graphics</b>	ATI Rage XC with 8-MB SDRAM discrete graphics memory, VESA monitor support		
	<b>Mode</b>	<b>Refresh Rates</b> <b>Color Depth</b>	
	640 x 480	60, 70, 72, 75, or 80 Hz	8, 16, or 32-bit
	800 x 600	60, 70, 72, 75, or 80 Hz	8, 16, or 32-bit
	1024 x 768	60, 70, 72, 75, or 80 Hz	8, 16, or 32-bit
	1280 x 1024	60, 70, 72, 75, or 80 Hz	8, 16, or 32-bit
	1600 x 1200	60, 70, 72, or 75 Hz	8 or 16-bit
<b>Input/Output/ Peripheral Support</b>	<b>Keyboard</b>	Enhanced USB with Windows keys (104 keys) included	
	<b>Mouse</b>	Scroll USB mouse included	
	<b>Printer</b>	Local and/or network printers (RDP, ICA, LPD)	
	<b>Video</b>	VGA-type video output (DB-15)	
<b>Audio</b>	<b>Output</b>	Internal amplified speaker, 1/8-inch mini, full 16-bit stereo, 44-kHz sample rate	
	<b>Input</b>	1/8-inch mini microphone	
<b>Security</b>	Security lock slot (cable lock sold separately)		
<b>Communications</b>	Integrated Microsoft RDP 5.1 and Citrix ICA 6.3 for remote server access. Terminal personalities standard		
<b>Networking</b>	TCP/IP with DNS and DHCP support		
	10/100 BaseT Fast Ethernet, twisted pair (RJ-45)		
	Direct connection through RS-232, Point-to-Point Protocol (PPP), Point-to-Point over Ethernet (PPPoE), Point-to-Point Tunneling Protocol (PPTP), Layer-2 Tunneling Protocol (L2TP)		
	Multiple master browser support on ICA		
	Supports Citrix load balancing on ICA		
	SNMP support allows configuration of terminal settings, reporting of terminal information and sending traps		
	DHCP support for automatic firmware upgrades		
	Wake on LAN		
<b>I/O ports and connectors</b>	Four USB 1.1 ports, 1 serial, 1 parallel, RJ-45, 1 optional PCI		
<b>Resident Operating System</b>	Microsoft Windows CE .NET v4.20 with Internet Explorer 6.0		
<b>Server OS Compatibility/Support</b>	Microsoft Windows NT Server 4.0, Windows NT Server 4.0 Terminal Services, Windows 2000 Server, Windows 2000 Server Terminal Services, Windows 2000 Advance Server, Windows 2000 Advance Server Terminal Services, and Citrix MetaFrame (thin-client/server solution, built for Microsoft Windows NT 4.0, Windows 2000 Server, and Windows 2000 Advanced Server Terminal Services)		
<b>Software Included</b>	Microsoft Windows CE .NET v4.20 preinstalled		
	Microsoft Internet Explorer 6.0 preinstalled		
	Microsoft Windows Media Player 9.0 for CE .NET preinstalled		
	Altiris Deployment Solution (client agent) preinstalled. Altiris Deployment Solution (management console) available as free download from Altiris at: <a href="http://www.altiris.com/hptc">http://www.altiris.com/hptc</a>		
	JetCET Print Professional v3.01 preinstalled		
	Microsoft Windows Messenger v4.0 for CE		
<b>Languages</b>	Terminal Emulation Software		
	English		
<b>Dimensions H x W x D</b> (approximate)	<b>Without stand</b>	2.2 x 8.2 x 7.8 in (55 x 205 x 195 mm)	
	<b>With stand</b>	9.2 x 4 x 7.8 in (230 x 100 x 195 mm)	
	<b>With optional PCI Expansion Module and without stand</b>	3.2 x 8.2 x 8.28 in (80 x 205 x 207 mm)	
	<b>With optional PCI Expansion Module and stand</b>	9.2 x 4.2 x 8.28 in (230 x 105 x 207 mm)	

### Technical Specifications

<b>Weight</b> (approximate)	<b>With stand</b>	3.07 lb (1.39 kg)
	<b>With optional PCI Expansion Module and stand</b>	3.29 lb (1.49 kg)
<b>Environmental</b>	<b>Temperature range on</b>	32° to 104° F (0° to 40° C)
	<b>Temperature range off</b>	-40° to 140° F (-40° to 60° C)
	<b>Humidity</b>	20% to 80% condensing/10% to 95% non-condensing
<b>Regulatory Compliance</b>	<b>Power</b>	Worldwide auto-sensing 100-240 VAC, 50-60 Hz energy-saving automatic power-down
	<b>Ergonomics</b>	German ZH1/618; EN29241-3, approved
	<b>Safety</b>	UL 1950, CSA 950; TÜV-GS (EN60 950) approved
	<b>RF Interference</b>	FCC Class B; CE Mark; EN55022B; VCCI
<b>Warranty</b>	Three-year limited warranty	
	<b>NOTE:</b> Certain restrictions apply. Consult the HP Customer Support Center for details.	
<b>Emulations and Terminal IDs Supported</b>	<b>Emulation</b>	<b>Terminal ID</b>
	ADDS A2 AIXTerm ANSI BBS AT 386 DG 410/412 HP 700-92/96 HZ1500 IBM3151 IBM3270 IBM5250 SCO Console TA6530 TVI910 TVI920 TVI925 TVI950 TVI955 VT52 VT100 VT500 7-bit VT500 8-bit VT PCTerm Wyse PCTerm WY50 WY50+ WY60	70092, 70094, 70096, 2392A, 2622A  Mod11, Mod31 3278-2 (24x80), 3278-3 (32x80), 3278-4 (43x80), 3278-5 (27x132), 3278-2-E (24x80), 3278-3-E (32x80), 3278-4-E (43x80), 3278-5-E (27x132), 3279-2 (24x80), 3279-3 (32x80), 3279-4 (43x80), 3279-5 (27x132), 3287-1 5291-1, 5292-2, 5251-11, 3179-2, 3196-A1, 3180-2, 3477-FC (27x132), 3477-FG (24x80), 3486-BA, 3487-HA, 3487-HC, 3812-1  VT100, VT101, VT102, VT125, VT131, VT132, M2200, VT220, VT240, VT320, VT340, VT420, VT510, VT520, VT525 VT100, VT101, VT102, VT125, VT131, VT132, M2200, VT220, VT240, VT320, VT340, VT420, VT510, VT520, VT525 VT100, VT101, VT102, VT125, VT131, VT132, M2200, VT220, VT240, VT320, VT340, VT420, VT510, VT520, VT525 VT100, VT101, VT102, VT125, VT131, VT132, M2200, VT220, VT240, VT320, VT340, VT420, VT510, VT520, VT525

### *Technical Specifications*

©Copyright 2004 Hewlett-Packard Development Company, L.P.

Microsoft, Windows, and Windows NT are trademarks and/or registered trademarks of Microsoft Corporation in the United States and other countries.

The information contained herein is subject to change without notice and is provided "as is" without warranty of any kind. The warranties for HP products and services are set forth in the express limited warranty statements accompanying such products and services. Nothing herein should be construed as constituting an additional warranty. HP shall not be liable for technical or editorial errors or omissions contained herein.