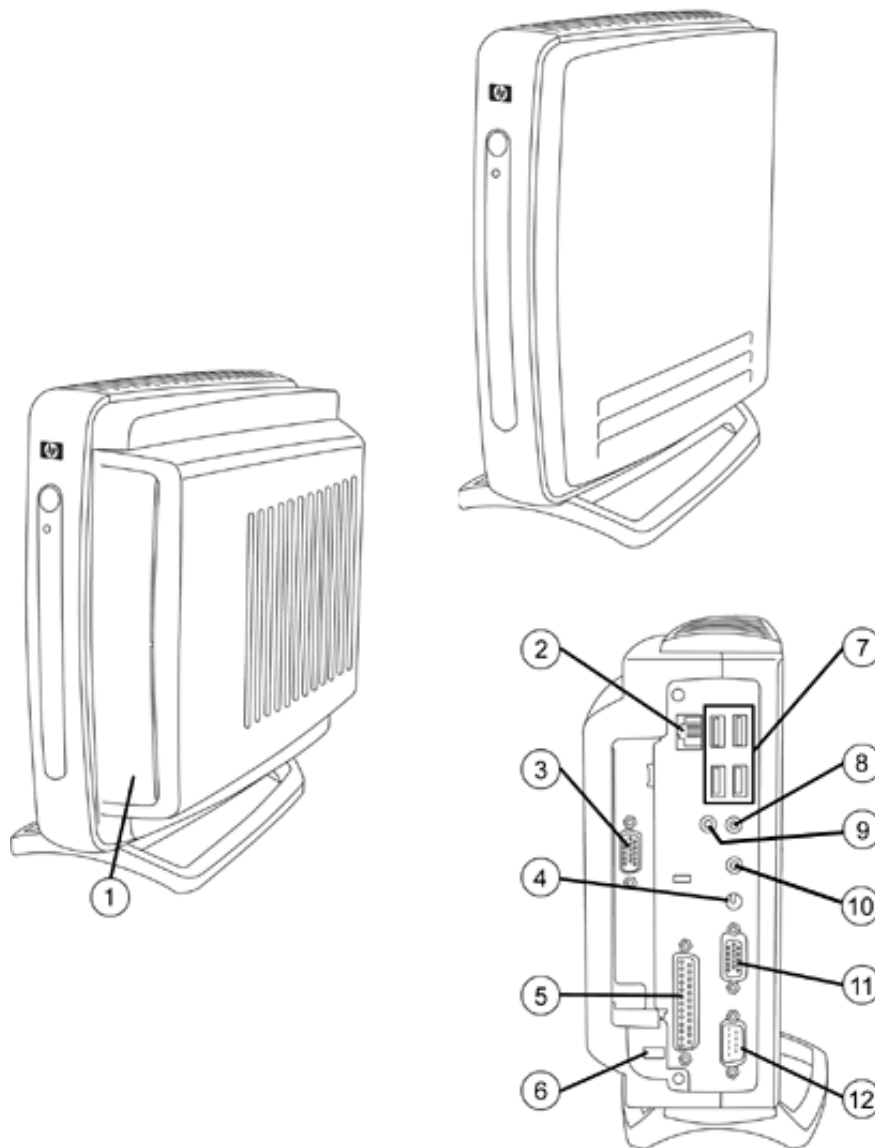


Overview



1. Optional PCI Expansion Module
2. RJ-45
3. Optional PCI Slot External Connector
4. DC Power Input
5. Parallel Connector
6. Security Lock

7. USB Connectors
8. Audio Connector Mic In
9. Audio Connector Line Out
10. PS/2 Connector
11. Video Connector
12. Serial Connector

At A Glance

- Simplified IT management for the enterprise with Altiris Deployment solution for HP thin clients
- Upgraded features and legacy support for mainstream corporate use. Now with PS/2 support
- Helps lower ownership costs and increase resource efficiency for each end-user
- Linux operating system
- 800-MHz processor
- ATI Radeon 7000M with 16 MB of discrete graphics memory provides powerful, dedicated graphics
- Up to 128 MB of DDR SDRAM standard
- Optional PCI Expansion Module (select models)
- Broad range of support for options and peripherals
- Protected by Hewlett-Packard Services, including a limited three-year hardware warranty – certain restrictions and exclusions apply.

Standard Features - Models

PC542A#ABA	Processor	Transmeta Crusoe 800 MHz
	Flash (ROM)	128 MB
	Memory	128 MB DDR SDRAM (NOTE: 16 MB of system RAM is reserved for processor usage.)
	PCI	1 slot available with optional expansion module sold separately
	USB support	2.0
	Operating system	Linux kernel 2.4
	Browser	Mozilla
	Client management software	Altiris Deployment Solution
	Terminal personality	X-terminal

PC538A#ABA	Processor	Transmeta Crusoe 800 MHz
	Flash (ROM)	32 MB
	Memory	64 MB DDR SDRAM (NOTE: 8 MB of system RAM is reserved for processor usage.)
	PCI	No
	USB support	1.1
	Operating system	Linux kernel 2.4
	Browser	None
	Client management software	Altiris Deployment Solution
	Terminal personality	X-terminal

Options

Monitors	HP L1502 Flat Panel Monitor (15-inch, essential line)	P9617D#ABA
	HP L1702 Flat Panel Monitor (17-inch, essential line)	P9621D#ABA
	HP L1902 Flat Panel Monitor (19-inch, essential line)	P9602A#ABA
	HP L1530 Flat Panel Monitor (15-inch, advantage line)	P9624A#ABA
	HP L1730 Flat Panel Monitor (17-inch, advantage line)	P9625A#ABA
	HP L1925 Flat Panel Monitor (19-inch)	P9626A#ABA
	HP L2035 Flat Panel Monitor (20-inch)	P9614A#ABA
	HP v7550 CRT Monitor (17-inch, advantage line)	P9013A#ABA
	HP s9500 CRT Monitor (19-inch, essential line)	P9010A#ABA
	HP s7500 CRT Monitor (17-inch, essential line)	P9008M#ABA
	HP s5500 CRT Monitor (15-inch, essential line)	P9006A#ABA
	HP p930 CRT Monitor (19-inch, performance line)	P9009D#ABA
	HP p1230 CRT Monitor (21-inch, performance line)	P9613A#ABA
	3000 Series Elo 1524L 15-inch LCD Desktop Touchmonitor (serial) (http://www.elotouch.com)*	D20932-000

Memory (128-MB Flash model only)	HP 512-MB DDR SDRAM Memory Module	DG961A
	HP 256-MB Flash Module	PQ461A
	512-MB Flash Module from Apacer (http://www.apacer.com/private/orderform/region.htm)**	AP-FM512-MM002-A

Security	Security Lock	DC368A
-----------------	---------------	--------

Storage (for image restoration purposes only, no read or write capability supported)	HP 256-MB Disk on Key	DL973B
	HP External MultiBay	DC373A
	HP MultiBay 1.44-MB Diskette Drive (requires External MultiBay)	DC362A
	HP MultiBay 24X CD-ROM Drive (requires External MultiBay)	DC513B

Communications	HP PCI Expansion Module with Riser Card (supports single PCI device, sold separately) (available for 128-MB Flash model only)	DE961A
	High speed 56K External Serial Modem 3049 from Zoom (http://www.zoom.com)**	3049-00-00C
	IBM High-Speed 100/16/4 Token Ring PCI (requires PCI Expansion Module) (http://www.ibm.com)**	3YL5201

Connectivity	HP PS/2 Mouse	DD440B
	HP PS/2 Keyboard	DT527A

Printers	HP Deskjet 5650 (USB and parallel)	C6490A
	HP Deskjet 6122 (USB and parallel)	C8954B
	HP LaserJet 1300SE (USB and parallel)	Q1334A
	HP Deskjet 5850 (USB, NIC and wireless)	C8975A
	HP Deskjet 6127 (USB and NIC)	C8959B
	HP LaserJet 1150 (USB and parallel)	Q1336A

Options

Accessories	Mounting Bracket	DY928A
--------------------	------------------	--------

Care Packs	9x5 Next-Business-Day Advanced Exchange – 3 Years	331653-001; U4847E
	9x5 Next-Business-Day On-Site Coverage – 3 Years	331655-001; U4849E
	Hardware Installation	331686-001; U4865E
	Hardware Installation (2 or more)	331687-001; U4866E

**The warranties for HP or Compaq branded products are set forth in the express limited warranty statements accompanying such products. Although these third-party products may work effectively on HP or Compaq thin clients, HP does not support or warrant third-party products, including the interoperability of such products with HP or Compaq thin clients. However, third-party manufacturers and vendors may provide their own warranties and support directly to you. Please contact the manufacturers and vendors listed previously for support on their products.

Memory

DDR SDRAM DIMM Non-ECC Memory (128-MB Flash model only)

Possible Memory Configurations

Flash ROM	Memory Slot (DDR SDRAM)
128 MB	128 MB
128 MB	512 MB
512 MB	512 MB

512-MB Flash Module from Apacer (<http://www.apacer.com/private/orderform/region.htm>)

AP-FM512-MM002-A

HP 512-MB DDR Memory Module

DG961A

NOTE: 16 MB of system RAM is reserved for processor usage.

Technical Specifications

Processor	Transmeta Crusoe 800 MHz		
Memory	Flash ROM	128 or 32 MB	
	System Memory	128 MB of DDR SDRAM	(NOTE: 16 MB of system RAM is reserved for processor usage.)
		64 MB of DDR SDRAM	(NOTE: 8 MB of system RAM is reserved for processor usage.)
Graphics	ATI Radeon 7000M with 16 MB of discrete graphics memory		
	Mode	Refresh Rates	Color Depth
	800 x 600	60, 70, 72, 75, or 85 Hz	16- or 32-bit
	1024 x 768	60, 70, 72, 75, or 85 Hz	16- or 32-bit
	1280 x 1024	60 Hz	32-bit
	1280 x 1024	60, 70, 72, 75, or 85 Hz	16-bit
	1600 x 1200	60, 70, 72, or 75 Hz	16-bit
Input/Output/ Peripheral Support	Keyboard	USB (keyboard included), PS/2	
	Mouse	USB (scroll USB mouse included), PS/2	
	Printer	Local and/or network printers (Rdesktop, ICA, LPD)	
	Video	VGA-type video output (DB-15)	
Audio	Output	Internal amplified speaker, 1/8-inch mini, full 16-bit stereo, 44-kHz sample rate	
Security	Security lock slot (cable lock sold separately)		
Server-based computing protocols	Citrix ICA and Rdesktop for remote server access, X-terminal		
Networking	TCP/IP with DNS and DHCP support		
	10/100 BaseT Fast Ethernet, twisted pair (RJ-45)		
	Point-to-Point Protocol (PPP), Point-to-Point over Ethernet (PPPoE), Point-to-Point Tunneling Protocol (PPTP), Layer-2 Tunneling Protocol (L2TP)		
	Wake on LAN, PXE		
	1 optional PCI slot (128-MB Flash model), four USB ports (USB 2.0 on 128-MB Flash model, USB 1.1 on 32-MB Flash model), 1 serial, 1 parallel, 1 PS/2, RJ-45		
I/O ports and connectors	1 optional PCI slot (128-MB Flash model), four USB ports (USB 2.0 on 128-MB Flash model, USB 1.1 on 32-MB Flash model), 1 serial, 1 parallel, 1 PS/2, RJ-45		
Resident operating system	Linux kernel 2.4		
Server OS compatibility/support	Microsoft® Windows® NT Server 4.0 family, Microsoft Windows 2003 Server family, Microsoft Windows 2000 Server family (except data center addition); Microsoft Windows 2003 Server Terminal Services, Citrix Metaframe XP and Citrix Presentation Server, Linux, Unix		
Software Included	Linux		
	Mozilla browser (128-MB Flash model), Adobe Acrobat Reader (128-MB Flash model), and VNC		
	Metrowerks supports the HP Compaq t5515 with a Board Support Package designed for use with Metrowerks Platform Creation Suite to allow more extensive image customizations. See http://www.metrowerks.com/MW/Develop/Embedded/Linux/hpthinclient.htm		
	Altiris Deployment Solution (client agent) preinstalled. Altiris Deployment Solution (management console) available as free download from Altiris at: http://www.altiris.com/hptc		
	X-terminal compatibility		
Languages	English		
Dimensions H x W x D (approximate)	Without stand	2.2 x 8.2 x 7.8 in (55 x 205 x 195 mm)	
	With stand	9.2 x 4 x 7.8 in (230 x 100 x 195 mm)	
	With optional PCI Expansion Module and without stand	3.2 x 8.2 x 8.28 in (80 x 205 x 207 mm)	
	With optional PCI Expansion Module and stand	9.2 x 4.2 x 8.28 in (230 x 105 x 207 mm)	

Technical Specifications

Weight (approximate)	With stand	3.07 lb (1.39 kg)
	With optional PCI Expansion Module and stand	3.29 lb (1.49 kg)
Environmental	Temperature range on	32° to 104° F (0° to 40° C)
	Temperature range off	-40° to 140° F (-40° to 60° C)
	Humidity	20% to 80% condensing/10% to 95% non-condensing
	Power	Worldwide auto-sensing 100-240 VAC, 50-60 Hz energy-saving automatic power-down
Regulatory Compliance	Ergonomics	German ZH1/618; EN29241-3, approved
	Safety	UL 1950, CSA 950; TÜV-GS (EN60 950) approved
	RF Interference	FCC Class B; CE Mark; EN55022B; VCCI
Warranty	Three-year limited hardware warranty. The software is comprised of open source community code, third-party licensed code and HP code and is provided without warranty. NOTE: Certain restrictions apply. Consult the HP Customer Support Center for details.	

© 2004 Hewlett-Packard Development Company, L.P.

Microsoft, Windows, and Windows NT are trademarks or registered trademarks of Microsoft Corporation in the U.S. and other countries.

The information contained herein is subject to change without notice and is provided "as is" without warranty of any kind. The warranties for HP products and services are set forth in the express limited warranty statements accompanying such products and services. Nothing herein should be construed as constituting an additional warranty. HP shall not be liable for technical or editorial errors or omissions contained herein.